



- Thermal & Optical bi-spectrum video with one IP
- Vanadium oxide uncooled focal plane detector
- Thermal: 256 x 192 resolution,  $12 \mu m \leq 40mk$  @ 25°C F1.0
- Optical: 2592 x 1944(5MP)
- Support reliable fire detection and fire shield area
- Support various AI functions at thermal & optical both streams Support dual image fusion
- Temperature exception alarm
- Temperature range: -20°C ~ 150°C
- Support audio and light alarm with built in red and blue flashing light

## ■ Specification

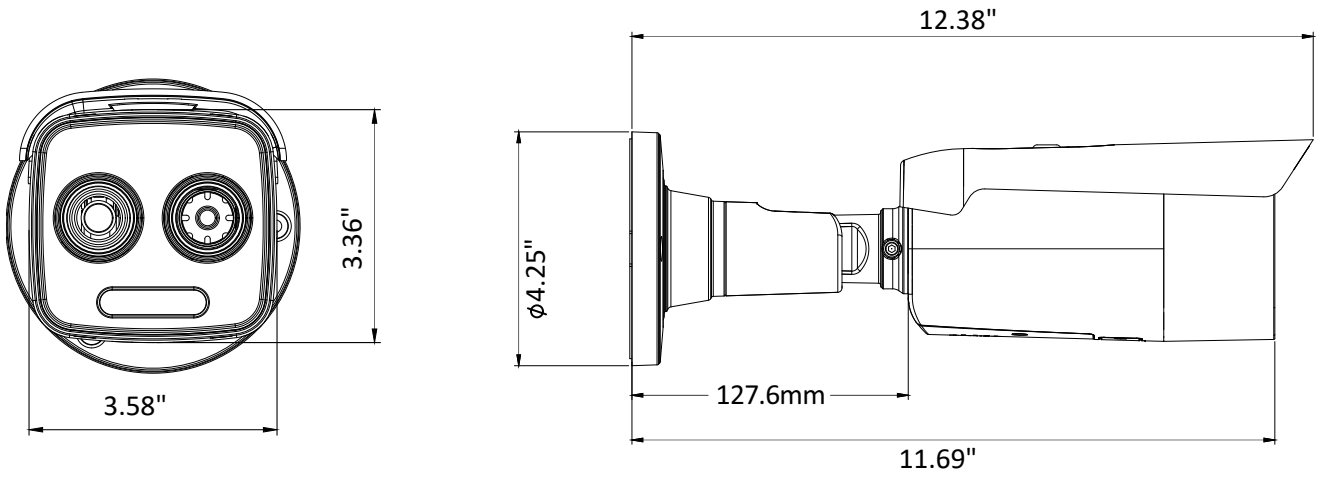
Thermal Module	
Image Sensor	Vanadium Oxide Uncooled Focal Plane Arrays
Max. Resolution	256×192
Pixel Interval	12μm
Response Waveband	8-14μm
NETD (Noise Equivalent Temperature Difference)	≤ 40mk@25°C F # 1.0, 25Hz
Lens (Focal Length)	3.2mm
IFOV	3.75 mrad
Field of View	56°x42°
Min. Focusing Distance	0.3m
DRI Distance Human	Detection: 126m(413ft), Recognition: 32m(105ft), Identification: 21m(69ft)
DRI Distance Vehicle	Detection: 421m(1381ft), Recognition: 90m(295ft), Identification: 53m(174ft)
Heat Detection Distance	20m(66ft)
Aperture	F1.1
Optical Module	
Max. Image Resolution	2592x1944
Image Sensor	1/2.7" Progressive Scan CMOS
Min. Illumination	Color: 0.003 Lux @(F1.6, AGC ON), B/W: 0 @IR ON
Shutter Speed	1/5s to 1/100,000s
Lens (Focal Length)	3.6mm
Field of View	Horizontal: 81°, Vertical: 57°, Diagonal: 108°
WDR	DWDR
Day & Night	IR cut filter with auto switch
Image Function	
Bi-spectrum Image Fusion	Fusion view of thermal view and overlaid details of the optical channel
Smart Function	

Intelligent Analytics	Optical: Intusion, Region Entrance, Region Exiting, Line Crossing, Pedestrian & Vehicle, Object Detection, Crossing Counting, Crowd Density, Queue Length, Heat MAP, Rare Sound,Face Detection Thermal: Intusion, Region Entrance, Region Exiting, Line Crossing detection, Fire detection, Temperature exception alarm, Pedestrian & Vehicle
Temperature Measurement	Gobal, 12 points, 12 areas, and 12 line.
Temperature Range	-20°C to + 150°C (-4°F to + 302°F)
Temperature Accuracy	±8°C (± 14.4 °F)
Fire Detection	Yes
<b>Illuminator</b>	
Supplement Light Type	IR and Warm Light
Supplement Light Range	Up to 30 m (IR) / 15m (Warm light)
IR Wavelenght	850nm
Smart Supplement Light	Yes
Warnning Light	1 Red & 1Blue flasing light
<b>Network</b>	
Main Stream	Visible Light: 50Hz@25fps; 5MP(2592x1944),4MP(2592x1520),3MP(2304x1296), 1080P(1920x1080), 960P(1280*960),720P(1280x720) 60Hz@30fps; 5MP(2592x1944),4MP(2592x1520),3MP(2304x1296), 1080P(1920x1080), 960P(1280*960),720P(1280x720) Thermal: 50Hz/60Hz@25fps; 1280x720, 640x480
Sub-stream	Visible Light: 50Hz@25fps; 720P(1280x720),VGA(640x480),QVGA(320x240) 60Hz@30fps; 720P(1280x720),VGA(640x480),QVGA(320x240) Thermal: 50Hz/60Hz@25fps; 640 x 480, 320x240
Mobile Stream	Visible Light: 50Hz@25fps; VGA(640x480),QVGA(320x240) 60Hz@30fps; VGA(640x480),QVGA(320x240)
Video Compression	H.265/H.265+/H.264/H.264+MJPEG
Audio Compression	G.711u/G.711a
Protocols	TCP/IP,HTTP,DHCP,DNS,DDNS,RTP/RTSP,SMTP,NTP,UPnP,SNMP,HTTPS,FTP

User/Host Level	3 users, 2 levels: Administrator, User
Security Measures	User authentication (ID and PW), HTTPS encryption, IP address filtering
<b>Integration</b>	
Alarm Input	1-ch inputs
Alarm Output	1-ch outputs
Alarm Action	SD recording/Alarm output/smart capture/FTP upload/email linkage/ audio alarm/Red & Blue flashing light
Audio Input	1-ch
Audio Output	1-ch outputs/ 1 Built-in speaker
Reset	Yes
Communication Interface	1, RJ45 10M/100M self-adaptive Ethernet interface.
SD Memory Card	Built-in micro SD card slot (up to 256 GB)
Analog Video Output(BNC)	NA
Web Browser	IE10/11 Safari V12.1 above Firefox V.52 above Google chrome V.57 above Edge V.79 above
<b>General</b>	
Menu language	English, Russian, German, Italian, French, Portuguese, Spanish, Turkish, Japanese
Power	12 VDC $\pm$ 20%, PoE (802.3af)
Power Consumption	Max.10.4W
Working Temperature/Humidity	Temperature: -35 °C to 60 °C (-31 °F to 140 °F) ; Humidity: 90% or less
Protection Level	IP67
Dimensions	$\phi$ 108mm*314.6mm( $\phi$ 4.25"*12.39")
Weight	Approx. 1.25kg(2.76lb)
Environment	RoHS2.0

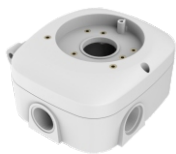
## ■ Dimension

---



## ■ Accessory (Optional)

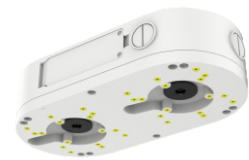
---



**XPM-JB2**



**XPM-JB4**



**XPM-POEA**