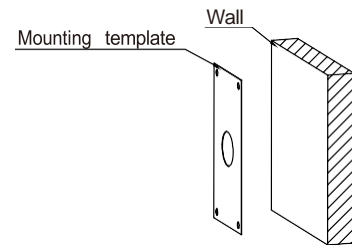


# Quick Start Guide

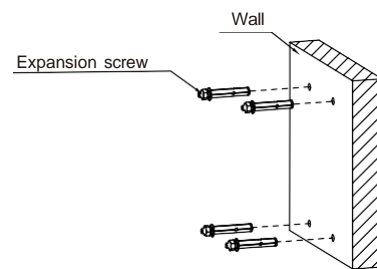
## HD Network Camera

## PTZ Camera

### 1 Installation

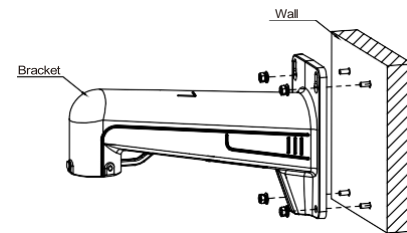


Step 1: Stick the mounting template to the wall, drill 4 expansion screw holes.

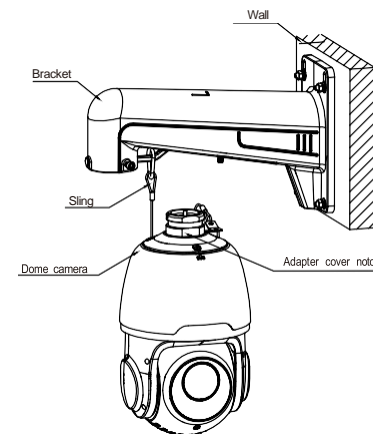


Step 2: Hammer the 4 expansion screws into the drilled wall holes.

01

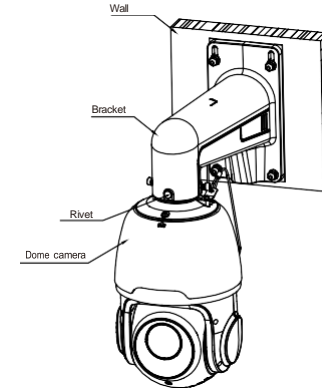


Step 3: Align the 4 expansion screws with the holes of the bracket, install the gasket and the spring washer, then lock the 4 nuts.

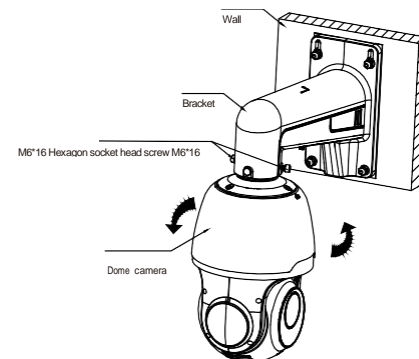


Step 4: Fasten the anti-dropping rope of the locked dome camera into the suspending rope loop of the bracket.

02



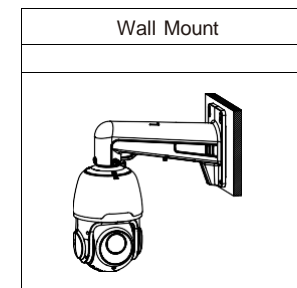
Step 5: After the tail cable of the dome camera passes through the bracket, align the notch of the adapter cover with the rivet position of the bracket and insert it into the bracket hole.



Step 6: After rotating the dome camera to the proper position, tighten the 2 socket head cap screws M6\*16 on the bracket.

03

### Installation method

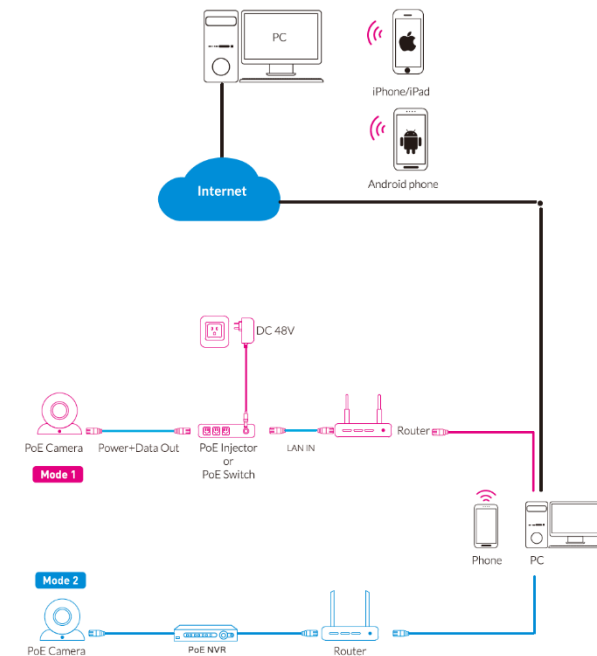


### Accessories



04

### 2 Camera Connection Diagram



Attention: There are two connection modes:  
1. For non-PoE router, pls connect the camera by a PoE switch or a PoE injector.  
2. For a POE NVR, pls connect the camera directly to the POE NVR, then follow the below steps.

05

### 3 Install the APP

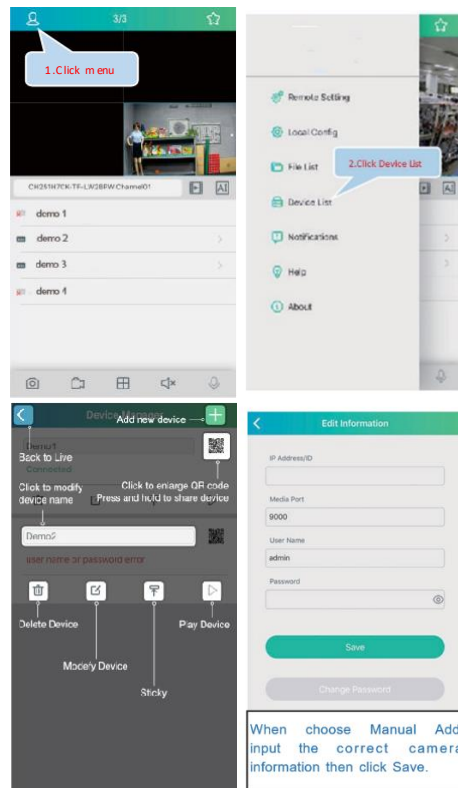
Scan the QR code below to download the mobile app.



SCAN CODE

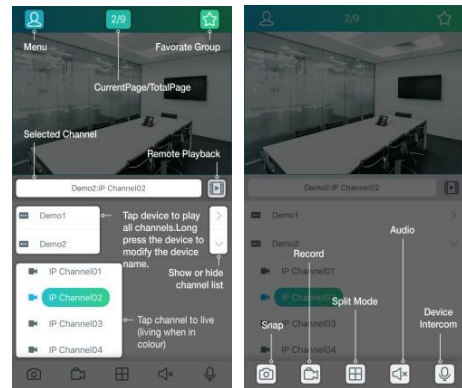
### 4 Camera Settings

Open the app, you will see the following interface to add the cameras.

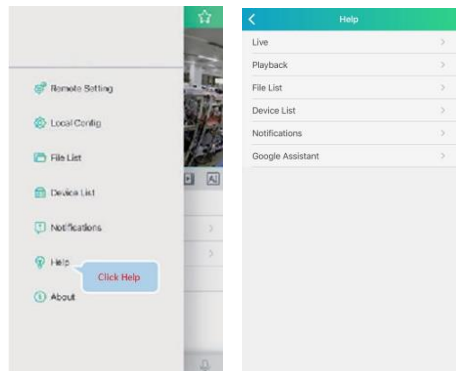


When choose Manual Add input the correct camera information then click Save.

If add the device successfully, you will see the following interface.



※ Please refer to "Help" section for more detailed instruction.

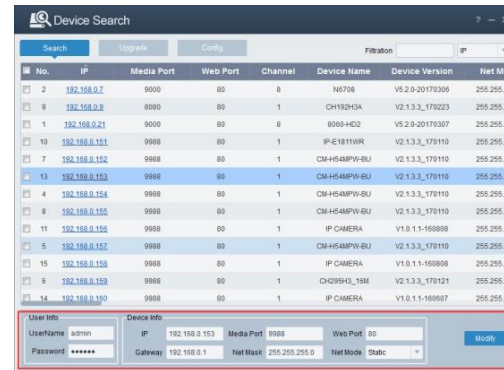


### 5 In Windows

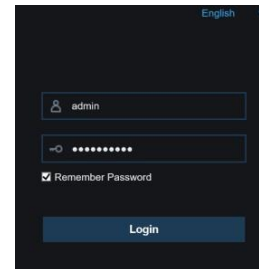
1. Download the "Device Config Tool", it will help to search all the available devices on your local network.

Windows: <https://www.dropbox.com/s/4jvomrx4hjo4qfw/Tool-Win.zip?dl=0>  
Mac: <https://www.dropbox.com/s/evid0e4hez0bmfj/Tool-Mac.dmg.zip?dl=0>

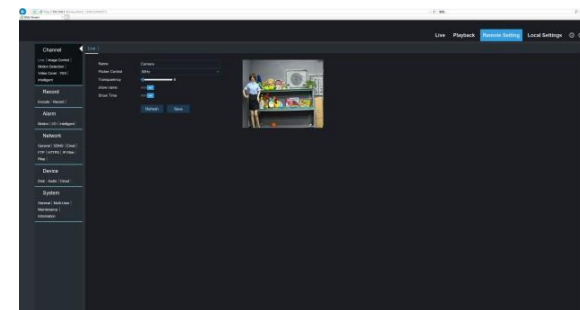
2. Under "Device Config Tool", you can modify the information of a selected device. Including IP, Media Port, Web Port, Gateway, Net Mask, Net Mode. (The default username & password is: admin & admin)



3. Open the Internet Explorer and input the device's IP address; Input the username & password in the following interface to login the device.

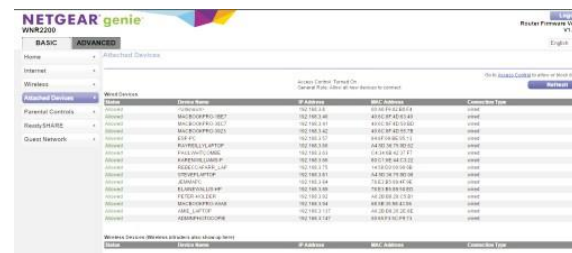


4. After login, click "Remote Setting" to change the setting.



### 6 In MAC OS

1. Open your router web interface and login.
2. Find the "Attached device" or "Connected device" menu. Find the device's IP address according to its MAC address. The Mac address is labeled on the device.



Picture for reference only

3. Input the device's IP address in Safari, login with your username & password.
4. After login, click "Remote Setting" to modify the setting.